

Part number:

HYDROMA

HYDRAULICKÉ SYSTÉMY

**HIDROMA
SYSTEMS**

UKŁADY HYDRAULICZNE

HYDROMA

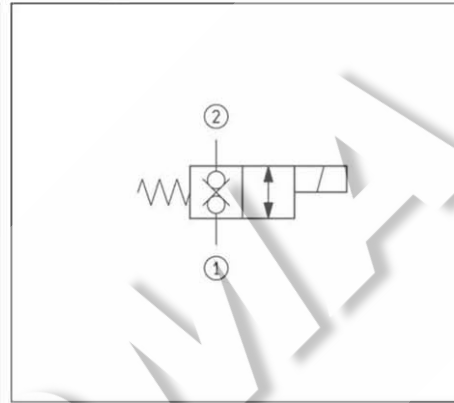
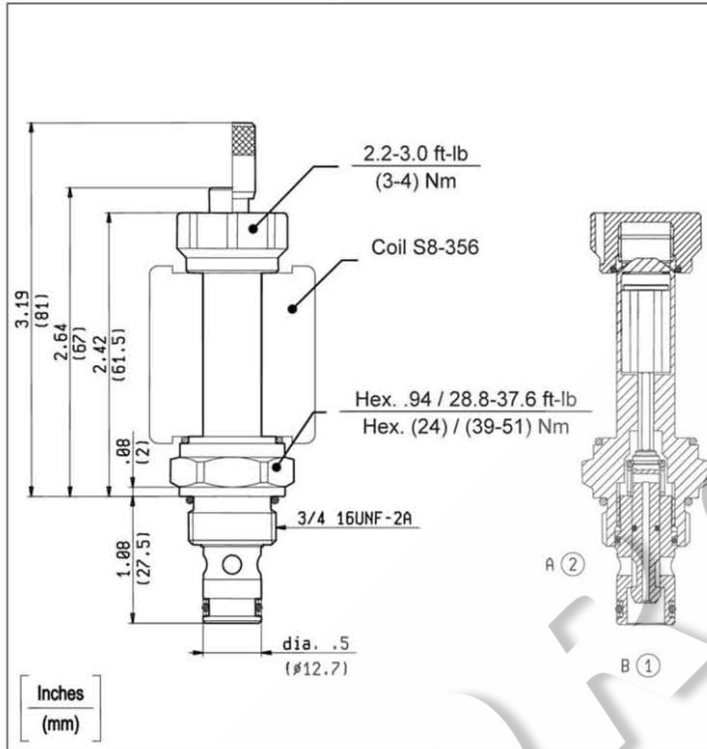
ГИДРАВЛИЧЕСКИЕ СИСТЕМЫ

**SOLENOID OPERATED VALVES
POPPET 2-WAY DOUBLE LOCK NORMALLY CLOSED
COMMON CAVITY**

VED-8I-2T-06-NC

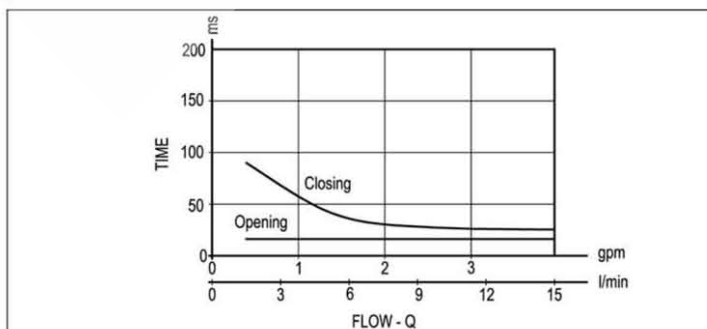
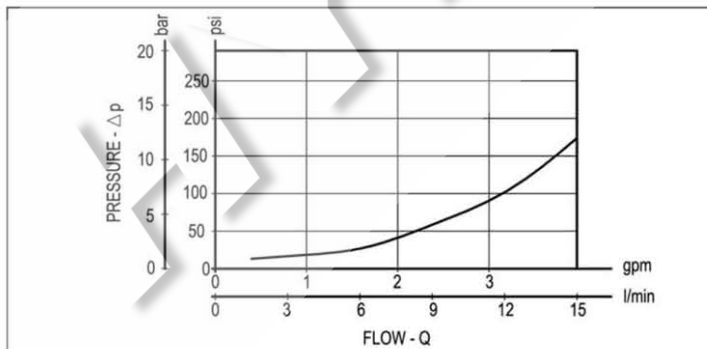
SIZE 08

OD.11.31.18 - Y - 00



TECHNICAL DATA

Maximum Operating Pressure	3000 psi (210 bar)
Rated Flow	4 gpm (15 l/min)
Cavity - Tooling (CA-08A-2N)	page CT.A.001.U
Line bodies	page MN2.A...
Weight	0.286 lbs (0.130 kg)
Fluids - Temperatures	page 7.01.040
Testing Conditions - Seals	page 7.01.040
Internal Leakage	page 7.01.040
Filtration : 25 μm nominal or better	page 7.01.050
Minimum Voltage Required	90% of nominal
Coils must be ordered separately	page 1.71.042
Mounting Position	unrestricted



Y	ORDERING OPTIONS
14	Standard
15	Push Style Manual Override
16	Push and Twist Style Manual Override