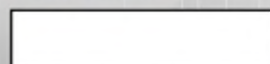


Part number:

**HYDROMA**

HYDRAULICKÉ SYSTÉMY

HIDROMA
SYSTEMS

UKŁADY HYDRAULICZNE

HYDROMA

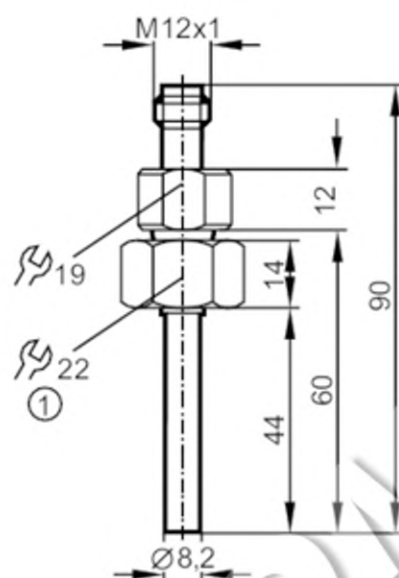
ГИДРАВЛИЧЕСКИЕ СИСТЕМЫ

TM9950

Temperature sensor with process connection

TM-045-BEM18

/US



1 internal thread M18 x 1.5



Product characteristics

Measuring range	-40...125 °C	-40...257 °F
Process connection	threaded connection M18 x 1,5 internal thread	
Installation length EL [mm]	60	

Application

Special feature	Gold-plated contacts	
Measuring element	1 x Pt 100; (to DIN EN 60751, class B)	
Media	liquids and gases	
Pressure rating [bar]	300	
Minimum installation depth [mm]	15	

Electrical data

Protection class	III
------------------	-----

Measuring/setting range

Probe length L [mm]	44
Measuring range	-40...125 °C -40...257 °F

Accuracy / deviations

Accuracy [K]	± (0,30 K + 0,005 x t)
--------------	-------------------------

Response times

Dynamic response T05 / T09 [s]	1 / 3; (to DIN EN 60751)
--------------------------------	--------------------------

Operating conditions

Ambient temperature [°C]	-25...80
Storage temperature [°C]	-40...100
Protection	IP 68; IP 69K

Tests / approvals

MTTF [years]	22831
--------------	-------

TM9950

Temperature sensor with process connection

TM-045-BEM18

/US

Mechanical data		
Weight	[g]	81.5
Materials		stainless steel (1.4404 / 316L)
Materials (wetted parts)		stainless steel (1.4404 / 316L)
Process connection		threaded connection M18 x 1,5 internal thread
Probe diameter	[mm]	8.2
Installation length EL	[mm]	60
Remarks		
Remarks		operating voltage "supply class 2" according to cULus The values for accuracy apply to flowing water.
Pack quantity		1 pcs.

Electrical connection

Connector: 1 x M12; coding: A; Contacts: gold-plated



Connection

