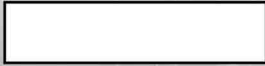


Part number:



HYDROMA

HYDRAULICKÉ SYSTÉMY

**HIDROMA
SYSTEMS**

UKŁADY HYDRAULICZNE

HYDROMA

ГИДРАВЛИЧЕСКИЕ СИСТЕМЫ

Solenoid operated valves pilot operated poppet type
2-way normally closed - Industrial application
Common cavity, Size 08

VEI-16-08A-NC_I

OD.15 - X - 18 - Y - Z - 000I

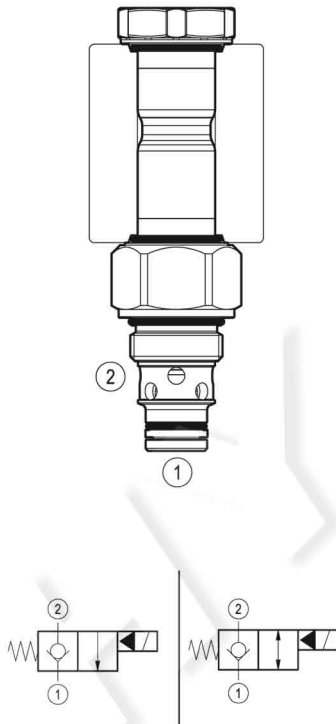
RE 18323-51

Edition: 01.2020

Replaces: 09.2019



PATENT PENDING



Technical data

New VEI-16 family incorporates a new solenoid concept providing excellent performance and enables cartridges to work in severe environment. Cartridges also incorporates advanced design of hydraulic parts providing excellent hydraulic performance.

Technical data

General		
Weight		0.15 kg (0.33 lbs)
Installation orientation		Unrestricted
Ambient temperature range		-30 to 90 °C (-22 to 194 °F)
Hydraulic		
Max. operating pressure		350 bar (5000 psi)
Flow range		0.5 - 40 l/min (0.1 - 11 gpm)
Fatigue cycle life		*10 million cycles at 280 bar 2 million cycles at 350 bar
Max. internal leakage:		5 drops/min. for X= 01,05
Switching time		Opening ≤ 50 ms Closing ≤ 100 ms
Fluid temperature range		-20 to 80 °C (-4 to 176 °F)
Fluids: Mineral-based or synthetics with lubricating properties at viscosities of 20 to 380 mm ² /s (cSt)		
Installation torque		39 - 51 Nm (29 - 38 ft-lbs)
Recommended degree of fluid contamination		Nominal value max. 10 µm (NAS 8) ISO 4406 19/17/14
MTTFD		150 years see RE 18350-51
Cavity		CA-08A-2N see 18325-70
Seal kit for X=01,05	code	RG08A2010520100
	material no.	R901101437
Seal kit coil and standard cap	code	RG02Z0010000100
	material no.	R930067869
Seal kit coil and standard cap only for Y=D	code	RG03Z0010000100
	material no.	R930067870
Other technical data		See data sheet 18350-50
Electrical		
Type of voltage		DC voltage
Coil type		D36
Supply voltage		See data sheet 18325-90
Power consumption		20 W
Type of protection		See data sheet 18325-90

Note: Coils must be ordered separately

Valve function *:

1) after 10 mio cycles valve function guaranteed at nominal voltage.

2) max. internal leakage 70 ml/min. (0.0185 gpm/min).

Ordering code

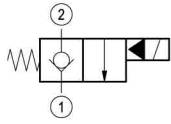
OD.15	X	18	Y	Z	000I	*
--------------	----------	-----------	----------	----------	-------------	----------

Solenoid operated valves
pilot operated poppet type
2-way normally closed -
Industrial application

Series O/A to L
unchanged performances and dimensions

I = Industrial application

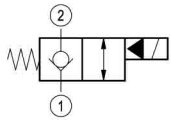
monodirectional type



01

0 = With buna seal
8 = With buna seal and extra spring only for **05**
V = With Viton seal

bidirectional type



05

A = Standard
D = Knob style manual override

Common cavity: CA-08A-2N

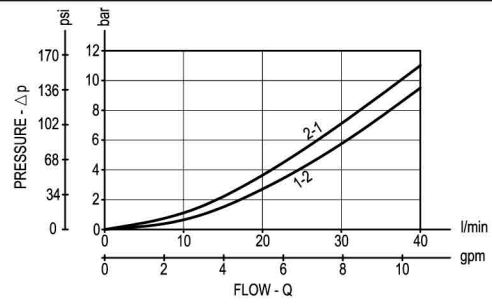
Preferred types

Type	Material number
OD150118A0000I0	R930076178
OD150518A0000I0	R930076177
OD150518D0000I0	R930076179
OD150518A8000I0	R930076182

Type	Material number

Characteristic curves

Versions 01, 05



FOR PRODUCTION

Dimensions**Solenoid operated valves, poppet 2-way
normally closed - Industrial application**