

Part number:

HYDROMA

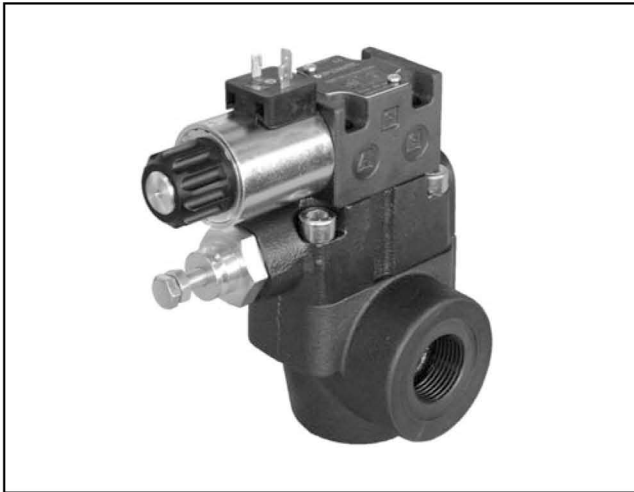
HYDRAULICKÉ SYSTÉMY

**HIDROMA
SYSTEMS**

UKŁADY HYDRAULICZNE

HYDROMA

ГИДРАВЛИЧЕСКИЕ СИСТЕМЫ



RQM*-W

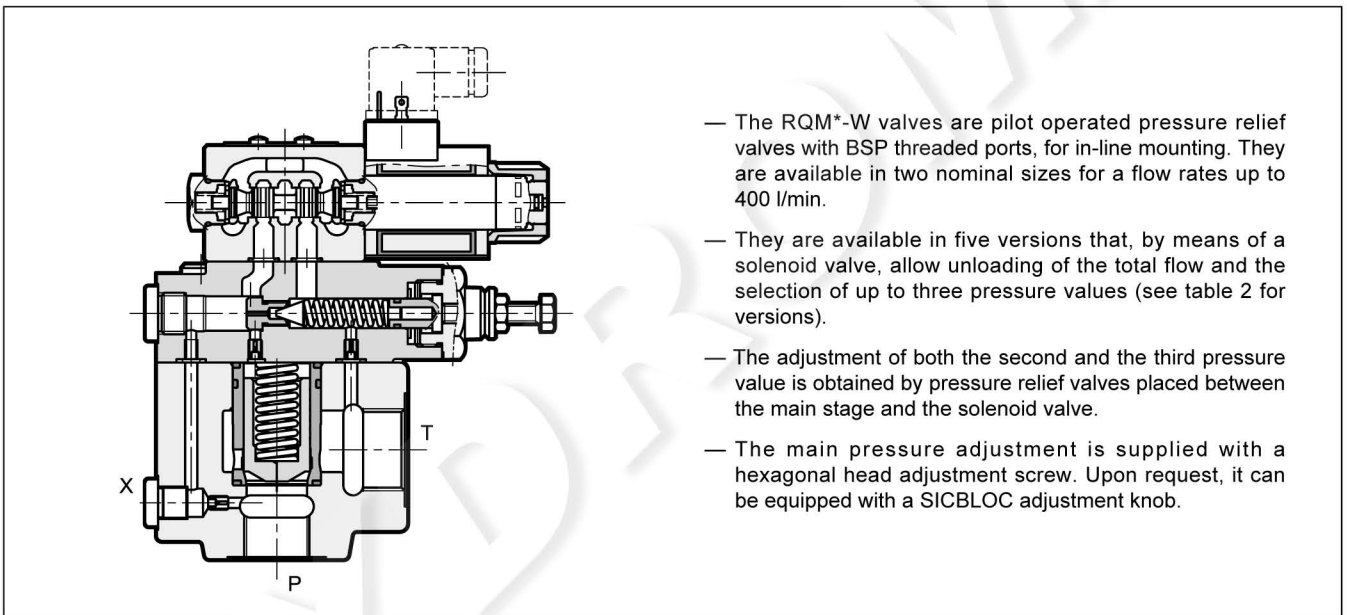
SOLENOID OPERATED PRESSURE RELIEF VALVE WITH UNLOADING AND PRESSURE SELECTION

THREADED PORTS

p max **350** bar

Q max (see table of performances)

OPERATING PRINCIPLE



- The RQM*-W valves are pilot operated pressure relief valves with BSP threaded ports, for in-line mounting. They are available in two nominal sizes for a flow rates up to 400 l/min.
- They are available in five versions that, by means of a solenoid valve, allow unloading of the total flow and the selection of up to three pressure values (see table 2 for versions).
- The adjustment of both the second and the third pressure value is obtained by pressure relief valves placed between the main stage and the solenoid valve.
- The main pressure adjustment is supplied with a hexagonal head adjustment screw. Upon request, it can be equipped with a SICBLOC adjustment knob.

PERFORMANCES

(measured with mineral oil of viscosity 36 cSt at 50°C)

		RQM5-W	RQM7-W
Maximum operating pressure	bar	350	
Maximum flow rate	l/min	250	400
Ambient temperature range	°C	-20 / +50	
Fluid temperature range	°C	-20 / +80	
Fluid viscosity range	cSt	10 + 400	
Fluid contamination degree	According to ISO 4406:1999 class 20/18/15		
Recommended viscosity	cSt	25	

NOTE: for the solenoid valve DS3 characteristics see catalogue 41 150

1 - IDENTIFICATION CODE

R	Q	M	-	W	/	/	/	-	K1	/	/
----------	----------	----------	----------	----------	----------	----------	----------	----------	-----------	----------	----------

Pressure relief valve pilot operated

Solenoid valve for venting / pressure selection

Nominal dimension: **5** = ND 25
7 = ND 40

BSP threaded ports

Pressure adjustment range: _____
3 = up to 70 bar **6** = up to 350 bar
5 = up to 210 bar

Versions: **A** _____
B see description
C in table 2: versions
D _____
G _____

M = adjustment with SICBLOC knob available on the main pressure control (omit for adjustment with hexagonal head screw)

Series No. (the overall and mounting dimensions remain unchanged from 60 to 69)
60 = for versions A and B
61 = for versions C, D and G

NOTE: The locking rings of the coils and the relevant O-Rings are supplied together with valves

Manual override:
Omit for override integrated in the tube (**standard**)
CM = manual override, boot protected

Coil electrical connection:
plug for connector type DIN 43650 (**standard**)

DC power supply
D12 = 12 V
D24 = 24 V
D48 = 48 V
D110 = 110 V
D220 = 220 V

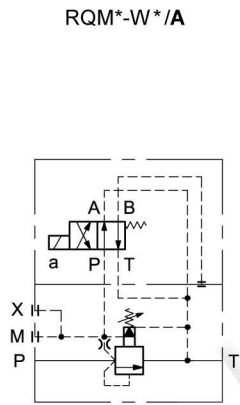
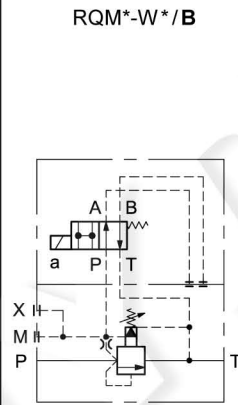
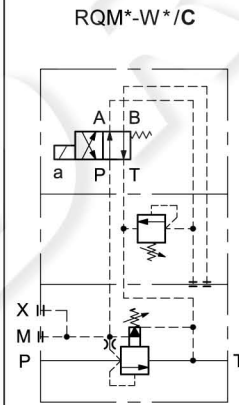
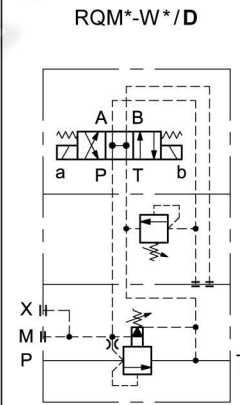
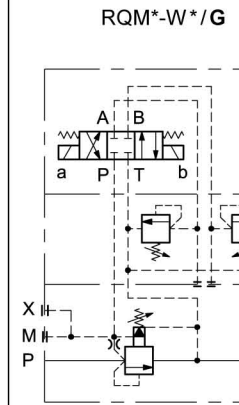
D00 = valve without coils (see **NOTE**)

AC power supply
A24 = 24 V - 50 Hz
A48 = 48 V - 50 Hz
A110 = 110 V - 50 Hz / 120 V - 60 Hz
A230 = 230 V - 50 Hz / 240 V - 60 Hz
A00 = valve without coils (see **NOTE**)

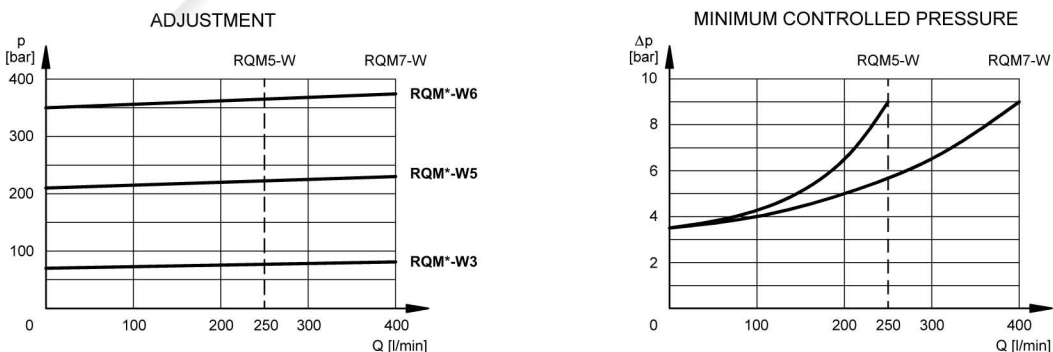
F110 = 110 V - 60 Hz
F220 = 220 V - 60 Hz

Seals:
N = NBR seals for mineral oil (**standard**)
V = FPM seals for special fluids

2 - VERSIONS

RQM*-W*/A	RQM*-W*/B	RQM*-W*/C	RQM*-W*/D	RQM*-W*/G
				
<p>1 pressure setting and unloading with de-energized solenoid</p>	<p>1 pressure setting and unloading with energized solenoid</p>	<p>2 pressure settings The highest setting is reached with energized solenoid</p>	<p>2 pressure settings and unloading with de-energized solenoids</p>	<p>3 pressure settings The highest setting is reached with de-energized solenoids</p>

3 - CHARACTERISTIC CURVES (values obtained with viscosity of 36 cSt at 50°C)



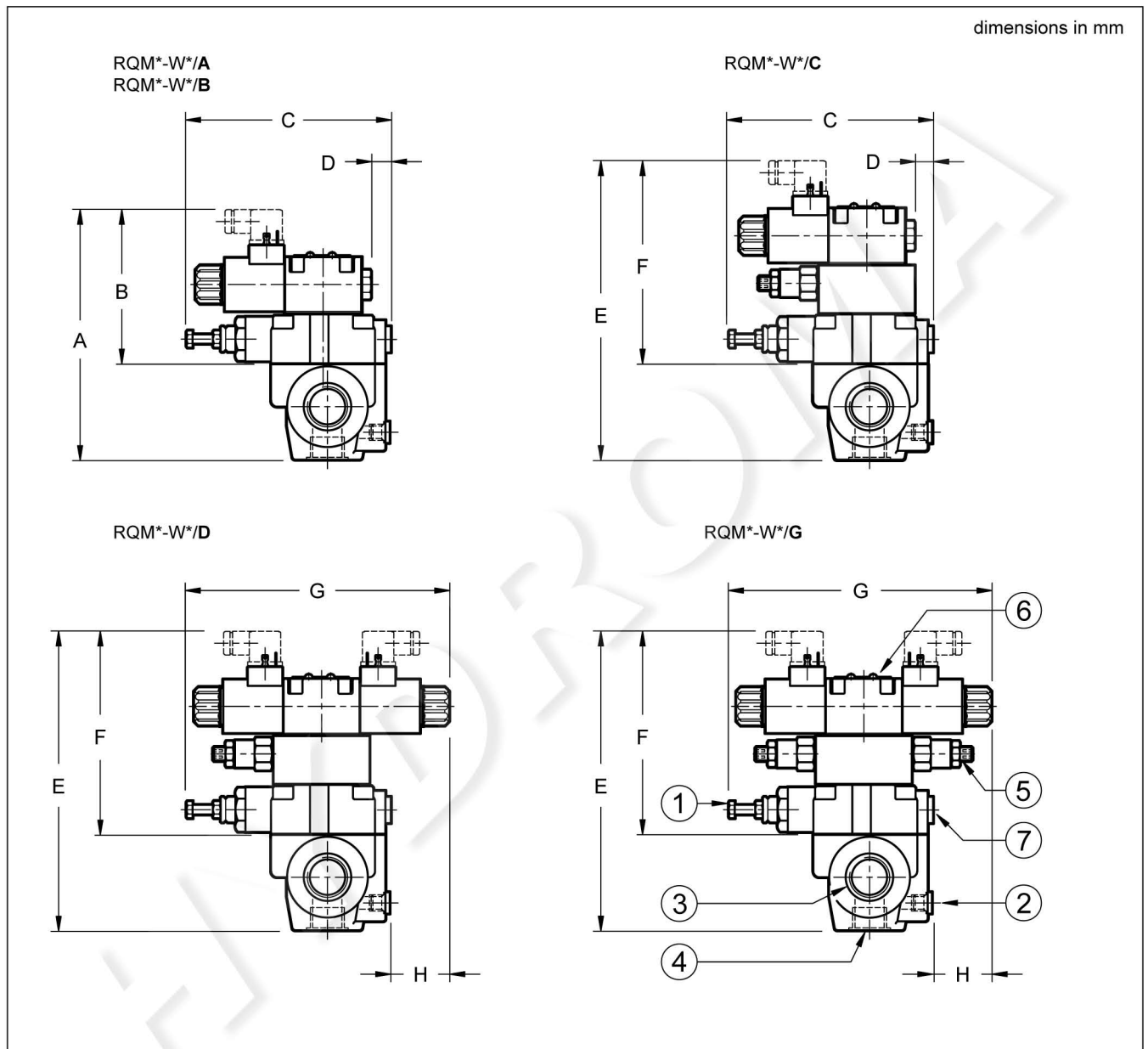
RQM*-W

4 - HYDRAULIC FLUIDS

Use mineral oil-based hydraulic fluids HL or HM type, according to ISO 6743-4. For these fluids, use NBR seals (code N). For fluids HFDR type (phosphate esters) use FPM seals (code V). For the use of other kinds of fluid such as HFA, HFB, HFC, please consult our technical department.

Using fluids at temperatures higher than 80 °C causes a faster degradation of the fluid and of the seals characteristics. The fluid must be preserved in its physical and chemical characteristics.

5 - OVERALL AND MOUNTING DIMENSIONS



1	Hexagonal head main pressure adjustment screw: Spanner 13 Clockwise rotation to increase pressure	5	Second value pressure adjustment valve. socket hex adjustment screw: hex key 6 locking nut: spanner 19 Clockwise rotation to increase pressure
2	Remote piloting port XX 1/4" BSP	6	ISO 4401-03 (CETOP 03) solenoid valve for pressure selection / unloading
3	Outlet port T RQM5-W: 1" BSP RQM7-W: 1" 1/2 BSP	7	Pressure gauge port 3/8" BSP
4	Inlet port P RQM5-W: 3/4" BSP RQM7-W: 1" 1/4 BSP		

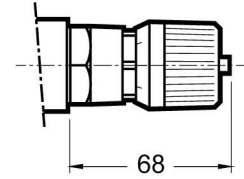
	A	B	C	D	E	F	G	H
RQM5-W	210	130	172	17	247	167	221.5	49.5
RQM7-W	232	130	172	17	269	167	221.5	49.5

RQM*-W

6 - ADJUSTMENT KNOB

The RQ valves can be equipped with a SICBLOC adjustment knob, only on the main pressure regulation. To actuate it, push and rotate at the same time.

Add **/M** to request this option (see point 1).



7 - ELECTRIC CONNECTORS

Solenoid operated valves are delivered without connectors. They must be ordered separately.

For the identification of the connector type to be ordered, please see catalogue 49 000.

8 - MANUAL OVERRIDE, BOOT PROTECTED: CM

Whenever the valve installation may involve exposure to atmospheric agents or utilization in tropical climates, the use of the boot protected manual override is recommended.

Add the suffix **CM** to request this device (see point 1).

For overall dimensions see catalogue 41 150.