

Part number:

HYDROMA

HYDRAULICKÉ SYSTÉMY

HIDROMA
SISTEMS

UKŁADY HYDRAULICZNE

HYDROMA

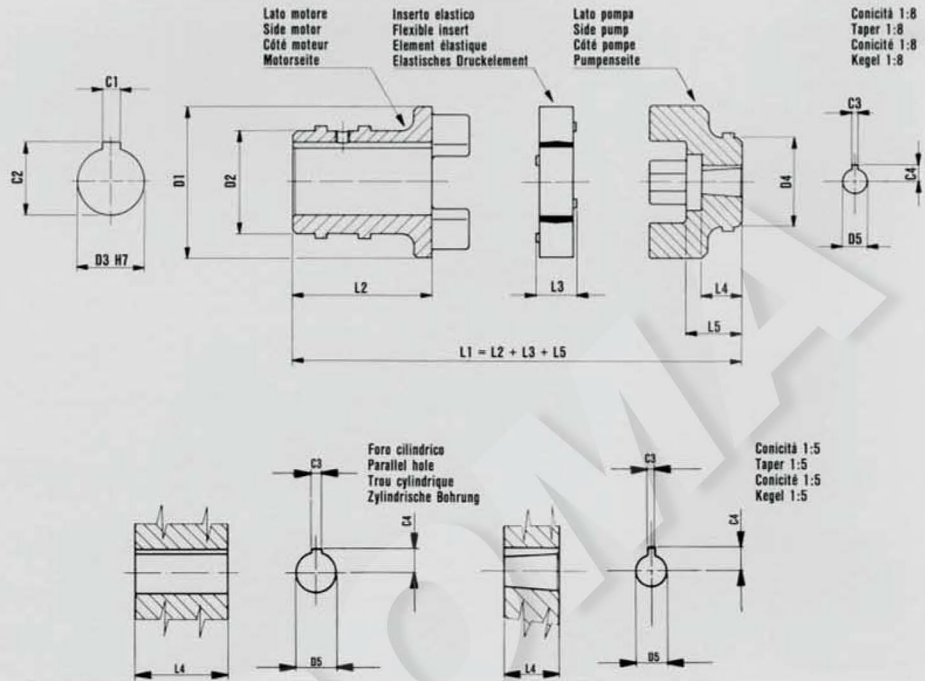
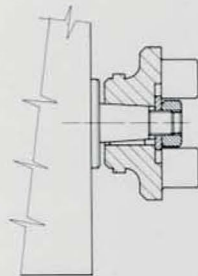
ГИДРАВЛИЧЕСКИЕ СИСТЕМЫ

Giunti elastici serie HE per pompe ad ingranaggi e motori elettrici normalizzati UNEL/IEC
Series HE flexible couplings for gear pump and el. motor according to UNEL/IEC norm
Accopl. élas. serie HE pour pompes à engrenages et moteurs électriques selon normes UNEL/IEC
«HE» Drehelastische Kupplungen für Zahnradpumpen und E. Motoren nach UNEL/IEC Normen

15

| | |
|---------|---------------|
| Gr. 1 | 0,5 – 1 Kgm |
| Gr. 2 | 0,5 – 1 Kgm |
| Gr. 3 | 0,5 – 1,5 Kgm |
| Gr. 3,5 | 0,5 – 1,5 Kgm |
| Gr. 4 | 1 – 2 Kgm |

Copie di serraggio per semigiunti elastici
 Tightening torque
 Couples de serrage
 Verschraubungsmoment



| Riferimenti References Références Beziehungen | | Giunto Coupling Accouplement Kupplung | | Semigiunto lato motore Side motor coupling Demi-accouplement côté moteur Motorseite Kupplung | | | | | | | Inserito elastico Flexible insert Élément élastique Elastisches Druckelement | | Semigiunto lato pompa Side pump half coupling Demi-accouplement côté pompe Pumpseite Kupplung | | | | | | | | | | | | | | | | | | | | | | | | | | | | | | | | |
|--|------------|--|--|---|----------|--|-----|------|-------|----------|---|--|--|--|----------|-------|-------|------|-----|----------|------|----------|-----|----------|------|----------|-----|----------|----------|-------|-----|------|-----|------|----------|----|----------|----|-------|------|-----|----|---|------|-----|
| Pump | E. Motor | Sigla Model code Sigt Besteilzeichen | Matricola Part number Matricule Bestellnummer | D1 | L1 | Matricola Part number Matricule Bestellnummer | D2 | D3 | L2 | C1 | C2 | Matricola Part number Matricule Bestellnummer | L3 | Matricola Part number Matricule Bestellnummer | D4 | D5 | L4 | L5 | C3 | C4 | | | | | | | | | | | | | | | | | | | | | | | | | |
| IC | 100 112 | HE16 | 10200014 | 63 | 106,5 | 31301600 | 51 | 28 | 64,5 | 8 | 31,2 | 39200400 | 19 | 31301700 | 7,59 | 1:8 | 16 | 23 | 3 | 2,4 | 5,7 | | | | | | | | | | | | | | | | | | | | | | | | |
| | | HE17 | 10200015 | | | | | | | | | | | 31302300 | 30 | 12 | | | | 7,6 | | | | | | | | | | | | | | | | | | | | | | | | | |
| | | HE18 | 10200016 | | | | | | | | | | | 31301900 | 11,80 | 8,5 | | | | | | | | | | | | | | | | | | | | | | | | | | | | | |
| | | HE19 | 10200017 | | | | | | | | | | | 31301800 | 36 | 14,30 | | | | 1:8 | 22 | 22 | 3,2 | 9,7 | | | | | | | | | | | | | | | | | | | | | |
| | | HE20 | 10200018 | | | | | | | | | | | 31302200 | | | | | | | 4 | | | | | | | | | | | | | | | | | | | | | | | | |
| | | ZBI | HE109 | | | | | | | | | | | 10200047 | 106,5 | 86 | | | | 31300500 | 58 | 38 | 79 | 10 | 41,7 | 39208300 | 23 | 31302400 | 30 | 7,60 | 1:5 | 12 | 23 | 2 | 5,6 | | | | | | | | | | |
| | | ZF2 | HE111 | | | | | | | | | | | 10200048 | 105,5 | | | | | | | | | | | | | 31302000 | 36 | 12,50 | 22 | 22 | 3 | 9,6 | | | | | | | | | | | |
| | | ICB | HE59 | | | | | | | | | | | 10200095 | 106,5 | | | | | | | | | | | | | 31305800 | 30 | 10 | 16 | 23 | 6,6 | | | | | | | | | | | | |
| | | ZCB | HE60 | | | | | | | | | | | 10200096 | 105,5 | | | | | | | | | | | | | 31305900 | 36 | 16 | 22 | 22 | 4 | 9,6 | | | | | | | | | | | |
| | | 3 | HE48 | | | | | | | | | | | 10200084 | 119,5 | | | | | | | | | | | | | 31325500 | 44 | 18,36 | 1:8 | 28 | 36 | 4 | 12,5 | | | | | | | | | | |
| | | 2 | HE25 | | | | | | | | | | | 10200021 | 110 | | | | | | | | | | | | | 105,5 | 31300200 | 50 | 28 | 50,5 | 8 | 31,2 | 35208300 | 23 | 31300800 | 50 | 14,17 | 1:8 | 23 | 32 | 3 | 3,2 | 9,7 |
| | | ZT | HE26 | | | | | | | | | | | 10200022 | | | | | | | | | | | | | | | | | | | | | | | 31300900 | | 12,50 | 1:5 | 22 | | | 32 | 4 |
| ZF2 | HE113 | 10200049 | 31301000 | 14,17 | 1:8 | 23 | 3,2 | 9,7 | | | | | | | | | | | | | | | | | | | | | | | | | | | | | | | | | | | | | |
| 2 | HE28 | 10200024 | 31300800 | | | | | | 18,36 | 28 | 4 | 12,5 | | | | | | | | | | | | | | | | | | | | | | | | | | | | | | | | | |
| ZT | HE29 | 10200025 | 134 | 40 | 31301200 | 58 | 38 | 79 | 10 | 41,7 | 39208300 | 23 | 31300900 | 14,17 | | | 1:5 | 23 | 32 | | | | | | | | | | | | | | | | | | 3 | | 9,6 | | | | | | |
| 3 | HE30 | 10200026 | 31301100 | | | | | | | | | | 18,36 | 28 | | | | 4 | | | | | | | | | | | | | | | | | | | | | | 12,5 | | | | | |
| 3,5 | HE31 | 10200027 | 133,5 | | | | | | | | | | 31301200 | 21,08 | | | | 31,5 | | | | | | | | | | | | | | | | | | | | | | 31,5 | 4,8 | | | 15,1 | |
| ZF2 | HE114 | 10200050 | 134 | | | | | | | | | | 31301000 | 12,50 | | 22 | | 32 | | 3 | 9,6 | | | | | | | | | | | | | | | | | | | | | | | | |
| ZG3 | HE115 | 10200051 | 133,5 | | | | | | | | | | 31301300 | 19,30 | | 26 | | 31,5 | | 5 | 15,1 | | | | | | | | | | | | | | | | | | | | | | | | |
| ZCB | HE52 | 10200088 | 139 | | | | | | | | | | 31306000 | 16 | | 37 | | 37 | | 4 | 9,6 | | | | | | | | | | | | | | | | | | | | | | | | |
| 3CB | HE53 | 10200089 | 138 | | | | | | | | | | 31306100 | 24 | | 36 | | 36 | | 6 | 14,6 | | | | | | | | | | | | | | | | | | | | | | | | |
| 2 | HE32 | 10200028 | 174 | | | | | | | | | | 179 | 31303400 | | 42 | | 105 | | 12 | 45,6 | 39200600 | 27 | 31303600 | 60 | 14,17 | 1:8 | | | | | | | | | | | | | 23 | 42 | | | 4 | 8,8 |
| ZT | HE33 | 10200029 | | | | | | | | | | | | | 31303700 | | | | | | | | | 18,36 | | 28 | | 4 | 12,5 | | | | | | | | | | | | | | | | |
| 3 | HE34 | 10200030 | | | | | | | | | | | | | 31303800 | | | | | | | | | 21,08 | | 32 | | 42 | 4,8 | 15,1 | | | | | | | | | | | | | | | |
| 3,5 | HE35 | 10200031 | | | | | | | | | | | | | 31303900 | | | | | | | | | 27,61 | | 42 | | 6,4 | 18,7 | | | | | | | | | | | | | | | | |
| 4 | HE36 | 10200032 | | | | | | | | | | | | | 31304000 | | | | | | | | | 12,90 | | 20 | | 3 | 9,6 | | | | | | | | | | | | | | | | |
| ZF2 | HE116 | 10200052 | | 31304100 | 19,30 | 26 | 5 | 15,1 | | | | | | | | | | | | | | | | | | | | | | | | | | | | | | | | | | | | | |
| ZG3 | HE117 | 10200053 | | 31304200 | 19,30 | 26 | 5 | 15,1 | | | | | | | | | | | | | | | | | | | | | | | | | | | | | | | | | | | | | |
| 3CB | HE51 | 10200087 | | 31304900 | 24 | 26 | 47 | 6 | 14,6 | | | | | | | | | | | | | | | | | | | | | | | | | | | | | | | | | | | | |
| 3 | HE37 | 10200033 | | 31303800 | 18,36 | 28 | 4 | 12,5 | | | | | | | | | | | | | | | | | | | | | | | | | | | | | | | | | | | | | |
| 3,5 | HE38 | 10200034 | | 31303900 | 21,08 | 32 | 4,8 | 15,1 | | | | | | | | | | | | | | | | | | | | | | | | | | | | | | | | | | | | | |
| 4 | HE39 | 10200035 | | 31304000 | 27,61 | 42 | 6,4 | 18,7 | | | | | | | | | | | | | | | | | | | | | | | | | | | | | | | | | | | | | |
| ZF2 | HE118 | 10200054 | | 174 | 31303500 | 48 | 105 | 14 | 52,1 | 39200600 | 27 | 31304100 | | | 60 | | 12,90 | | 1:5 | | | | | 20 | | 42 | | 3 | 9,6 | | | | | | | | | | | | | | | | |
| ZG3 | HE119 | 10200055 | 31304200 | | | | | | | | | 19,30 | 26 | 5 | | 15,1 | | | | | | | | | | | | | | | | | | | | | | | | | | | | | |
| 3CB | HE54 | 10200090 | 31304900 | | | | | | | | | 24 | 26 | 47 | | 6 | 14,6 | | | | | | | | | | | | | | | | | | | | | | | | | | | | |